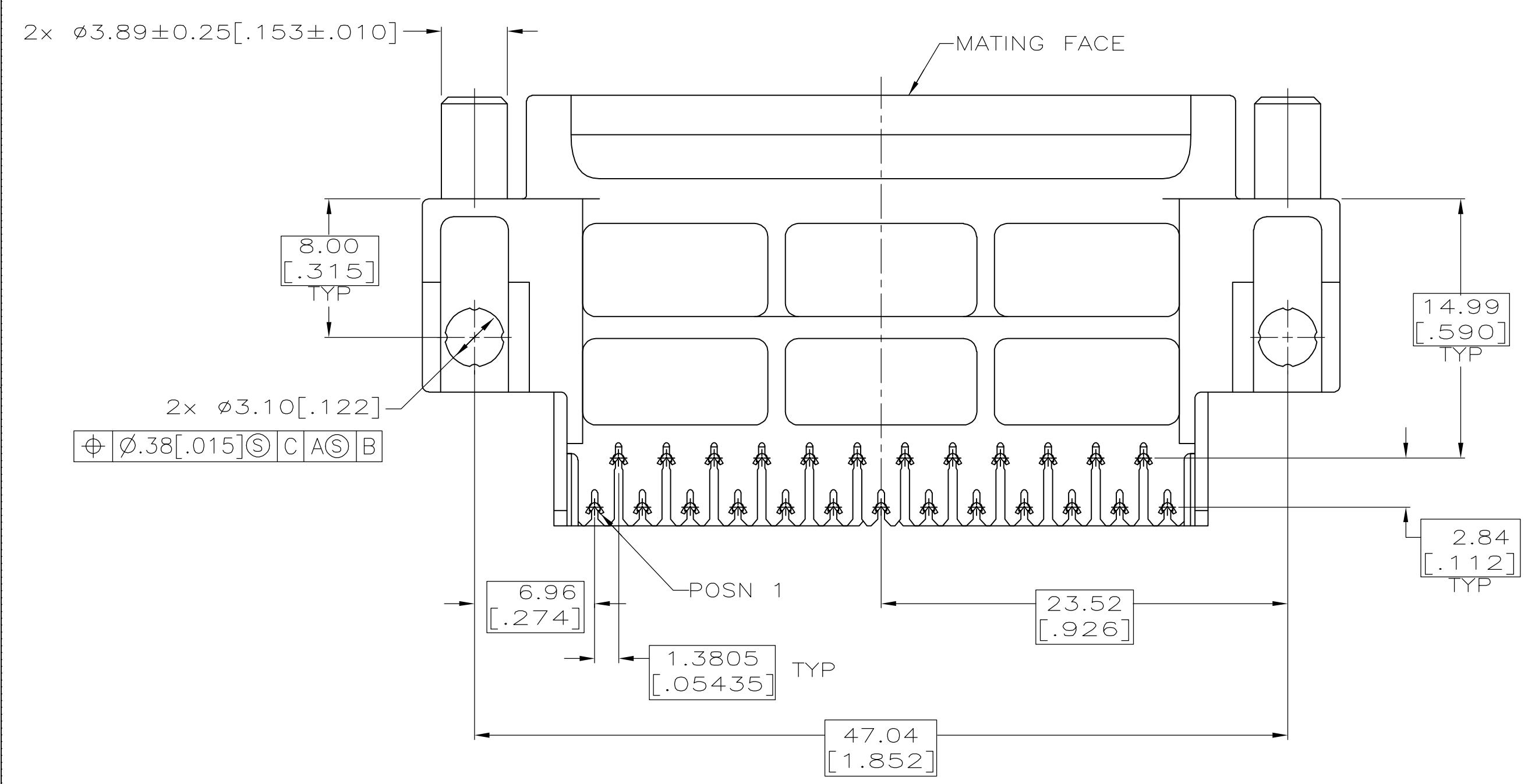


PC BOARD MOUNTING DIMENSIONS



- ⚠ POSITION TOLERANCE APPLIES AT TIP ONLY.
- ⚠ HOUSING: FLAME RETARDENT UL94V-0 RATED, GLASS FILLED NYLON OR POLYESTER, COLOR BLACK.
- CONTACTS: BRASS.
- SCREWLOCKS: ZINC.
- ⚠ CONTACTS: GOLD PLATED FOR A LENGTH OF 3.81 [.150] MIN FROM MATING END, 0.76 μm [.000030] MIN GOLD IN MATED AREA, 2.54 μm [.0001] MIN TIN FOR A LENGTH OF 3.68 [.145] MIN FROM OPPOSITE END, BOTH OVER 1.27 μm [.000050] MIN NICKEL.
- SCREWLOCKS: CLEAR CHROMATE COATING.

5748953-1
PART NO

**COPYRIGHT 2005
TYCO ELECTRONICS CORP
ALL RIGHTS RESERVED**

| | | | |
|--|-----------|---------------------------|---|
| THIS DRAWING IS A CONTROLLED DOCUMENT. | | DWN: S. PETERS 22SEP05 | Tyco Electronics Corporation Harrisburg, PA 17105-3608 |
| DIMENSIONS: INCHES | | CHK: S. BOLASH 22SEP05 | |
| TOLERANCES UNLESS OTHERWISE SPECIFIED: | | APVD: M. WALMSLEY 22SEP05 | NAME: M. WALMSLEY |
| 0 PLC ± - | 1 PLC ± - | 2 PLC ± 0.13 [.005] | PRODUCT SPEC: 108-1226 |
| 3 PLC ± - | 4 PLC ± - | ANGLES ± ± | APPLICATION SPEC: 114-40027 |
| MATERIAL: ⚠ | FINISH: ⚠ | WEIGHT: - | SIZE: A1 |
| CUSTOMER DRAWING | | SCALE: 4:1 | SHEET: 1 OF 1 |